

Get better at Math.
Get better at
everything.



Come experience the Cuemath methodology and ensure your child stays ahead at math this summer.



**Adaptive
Platform**



**Interactive Visual
Simulations**



**Personalized
Attention**

For Grades 1 - 10



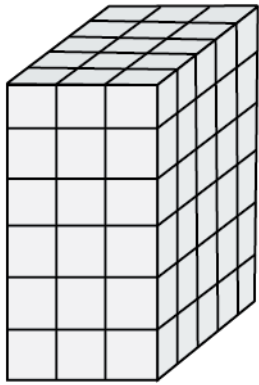
LIVE online classes
by trained and
certified experts.

Get the Cuemath advantage

Book a FREE trial class

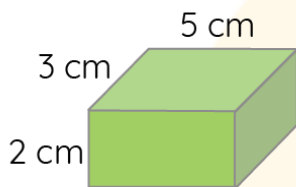
VOLUME OF RECTANGULAR PRISM WORKSHEET II

- 1) Choose the correct answer for the volume of the rectangular prism shown below by counting the unit cubes.



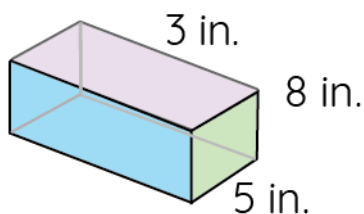
- a) 63 cubic units b) 90 cubic units c) 86 cubic units.

- 2) Calculate the volume of the given rectangular prism if the length, breadth, and height are shown in the picture.



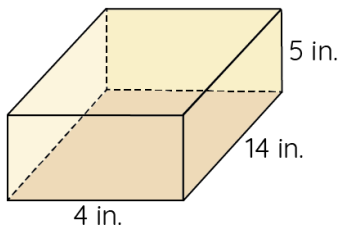
volume = _____

- 3) The volume of the given prism is _____ cubic in.

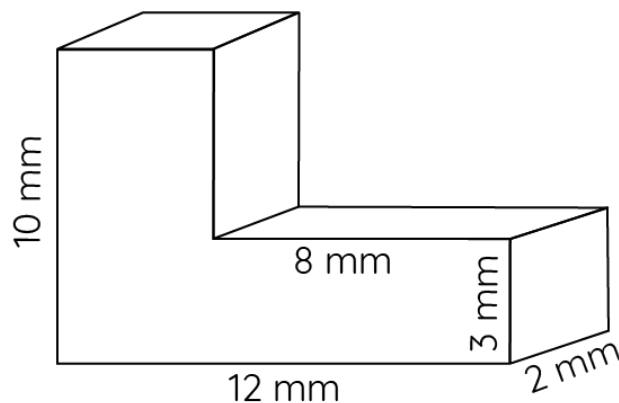


- a) 69 b) 120 c) 110 d) 109

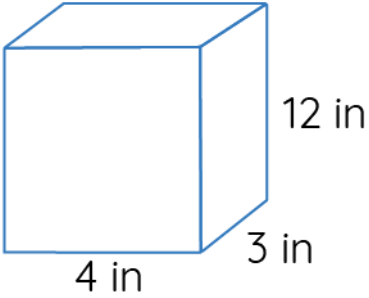
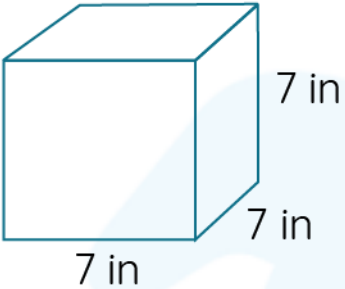
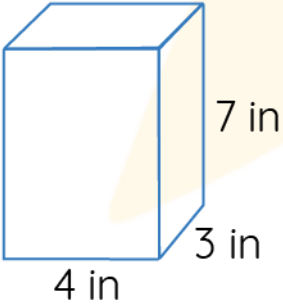
- 4) What will be the volume of a rectangular prism with a base area of 88 sq. units and a height of 10 units.
- 5) Calculate the height of rectangular prism with volume 500 cm cube and base area 100 cm square.
- 6) Choose the right option for the volume of the given prism:



- a) 250 in^3
b) 220 in^3
c) 280 in^3
d) 180 in^3
- 7) A rectangular pool is 30 ft. long, 12 ft. wide and 4 ft. deep. How much cubic ft. of water does the pool hold?
- 8) A gardening box has a base area of 84 sq ft. If the height of this gardening box is 1.5 ft. what will be the maximum amount of planting soil that can be used to fill the gardening box?
- 9) What is the volume of the given figure?



10) Match the following:

Prism	Volume
I. 	a. 343 in^3
II. 	b. 84 in^3
III. 	c. 144 in^3

**When you learn math
in an interesting way,
you never forget.**



25 Million

Math classes &
counting

100K+

Students learning
Math the right way

20+ Countries

Present across USA, UK,
Singapore, India, UAE & more.

Why choose Cuemath?

"Cuemath is a valuable addition to our family. We love solving puzzle cards. My daughter is now visualizing maths and solving problems effectively!"

- Gary Schwartz

"Cuemath is great because my son has a one-on-one interaction with the teacher. The instructor has developed his confidence and I can see progress in his work. One-on-one interaction is perfect and a great bonus."

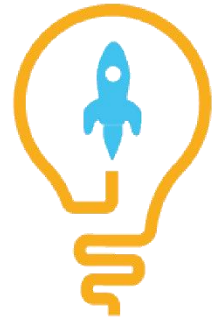
- Kirk Riley

"I appreciate the effort that miss Nitya puts in to help my daughter understand the best methods and to explain why she got a problem incorrect. She is extremely patient and generous with Miranda."

- Barbara Cabrera

Get the Cuemath advantage

Book a FREE trial class



ANSWERS

1)	a) 90 cubic units
2)	30 cubic in.
3)	b) 120 cubic in.
4)	880 cubic units
5)	5 cm.
6)	c) 280 in^3
7)	1440 cubic ft.
8)	126 cubic ft.
9)	128 mm cube.
10)	I. - b II. - c III. - a