

Get better at Math.
Get better at
everything.



Come experience the Cuemath methodology and ensure your child stays ahead at math this summer.



**Adaptive
Platform**



**Interactive Visual
Simulations**



**Personalized
Attention**

For Grades 1 - 10



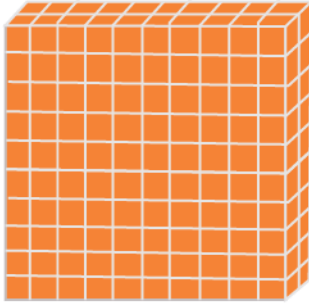
LIVE online classes
by trained and
certified experts.

Get the Cuemath advantage

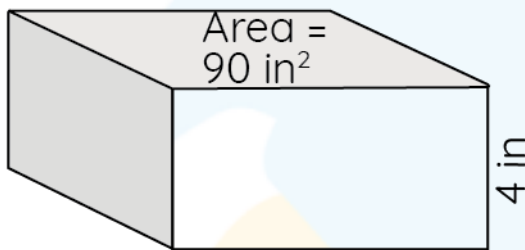
Book a FREE trial class

volume of rectangular prism worksheet I

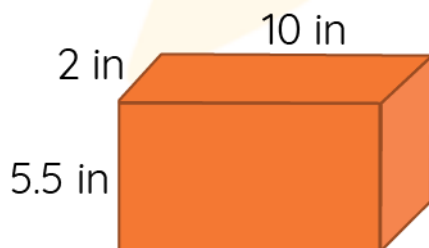
- 1) Find the volume of the rectangular prism given below by counting the unit cubes.



- 2) Find the volume of the given rectangular prism if the base area and height of the prism is given in the picture shown below:



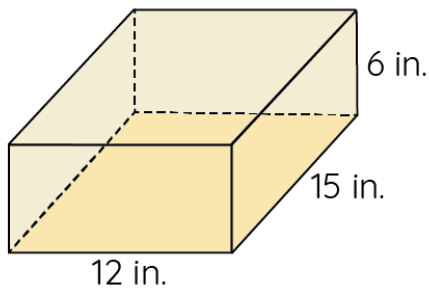
- 3) Volume of the given prism is _____ cubic in.



- 4) If the area of the base of a rectangular prism is 45 sq. units and height of the prism is 5 units. Find the volume of the prism.
- 5) If the volume of a rectangular prism is 900 cubic ft. If the area of the base is 300.

Height of the prism is _____.

6) Find the volume of the given prism:

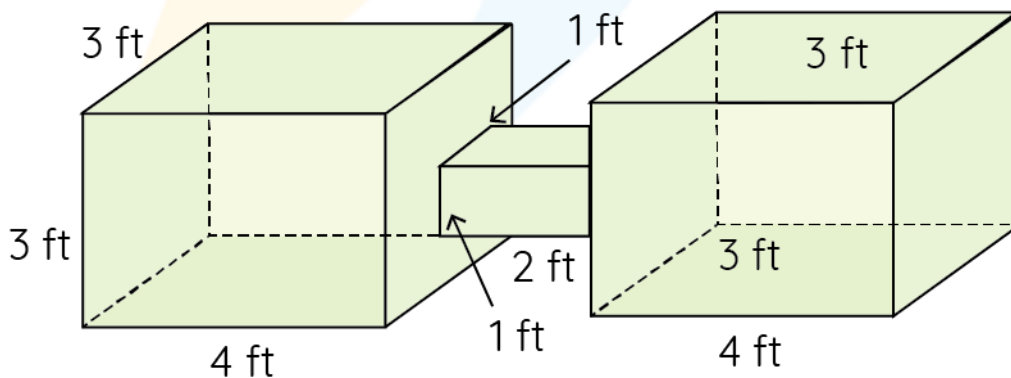


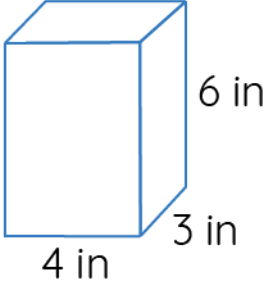
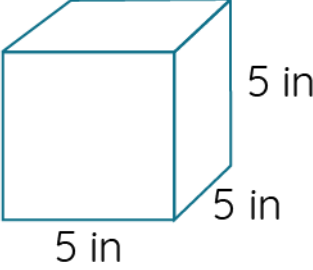
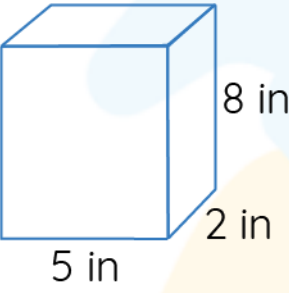
- a) 1550 in^3
- b) 1020 in^3
- c) 1250 in^3
- d) 1080 in^3

7) Find the amount of water that can be filled inside a cuboidal tank. It is known that the base area of the tank is 50 sq. in., and the height of the tank is 10 in.

8) Calculate the volume of a rectangular container if the height of the container is 56 in, length of the base is 60 in, and width of the base is 30 in.

9) Find the volume of the given object:



Prism	Volume
I. 	a. 125 in^3
II. 	b. 80 in^3
III. 	c. 72 in^3

10) Match the following:

**When you learn math
in an interesting way,
you never forget.**



25 Million

Math classes &
counting

100K+

Students learning
Math the right way

20+ Countries

Present across USA, UK,
Singapore, India, UAE & more.

Why choose Cuemath?

"Cuemath is a valuable addition to our family. We love solving puzzle cards. My daughter is now visualizing maths and solving problems effectively!"

- Gary Schwartz

"Cuemath is great because my son has a one-on-one interaction with the teacher. The instructor has developed his confidence and I can see progress in his work. One-on-one interaction is perfect and a great bonus."

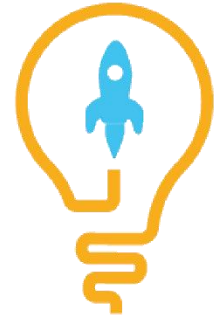
- Kirk Riley

"I appreciate the effort that miss Nitya puts in to help my daughter understand the best methods and to explain why she got a problem incorrect. She is extremely patient and generous with Miranda."

- Barbara Cabrera

Get the Cuemath advantage

Book a FREE trial class

**ANSWERS**

1)	200 cubic units
2)	360 cubic in.
3)	1100 cubic in.
4)	225 cubic units
5)	3 ft.
6)	d
7)	500 cubic in
8)	100,800 cubic in
9)	74 cubic ft.
10)	I. c II. a III. b