

Get better at Math.
Get better at
everything.



Come experience the Cuemath methodology and ensure your child stays ahead at math this summer.



Adaptive Platform



Interactive Visual Simulations



Personalized Attention

For Grades 1 - 10



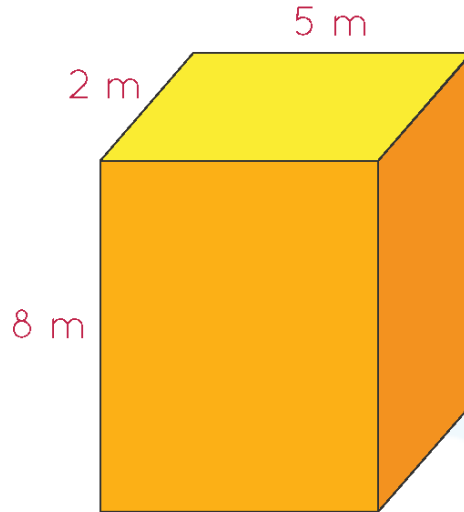
LIVE online classes
by trained and
certified experts.

Get the Cuemath advantage

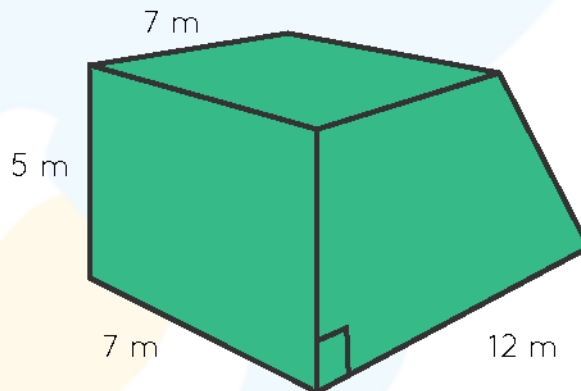
Book a FREE trial class

PERIMETER, AREA, AND VOLUME WORKSHEET, I

1) Find the total surface area of the given figure.



2) What will be the volume of the given figure?



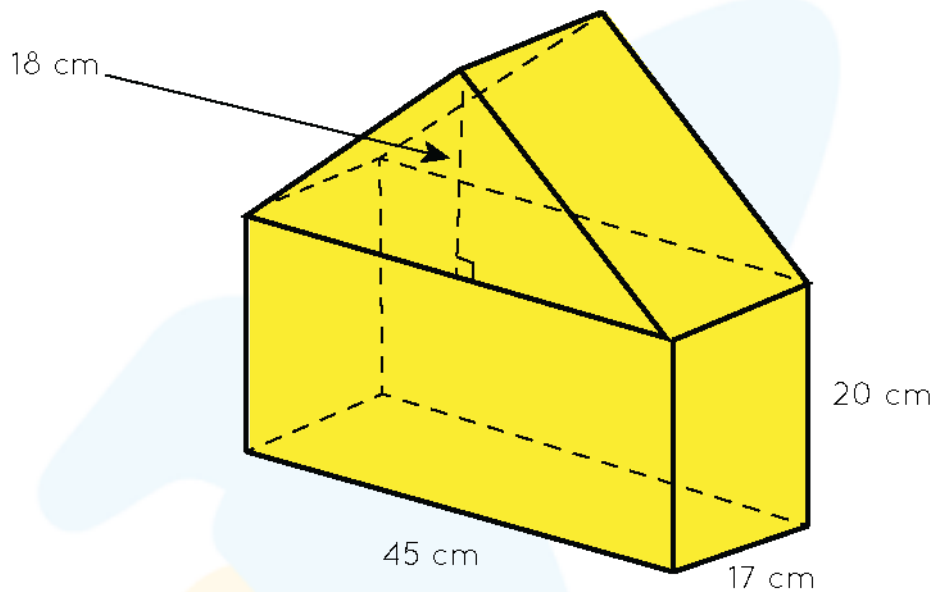
3) The volume of a box shaped like a regular triangular prism is 500 cubic units, and the area of the base is 300 units. Find the height of the box.



4) Fill in the blanks:

Length	Breadth	Perimeter
10	10	
20	40	
9		36

5) Walter and Jesse created a tent and wants to find the volume of the tent. Find the volume of the given tent.



- 6) If the area of the base of a hexagonal prism is 200 sq. ft., and the height of the prism is 30 ft. Find the volume of the given prism.
- 7) Find the area of an equilateral triangle of side length 45 in.
- 8) What will be area of a square garden of length 56 yard?
- 9) Find the volume of a Rubik's cube of side length 5 in.
- 10) Damian was practicing on a hexagonal ring. Find the perimeter of the ring if the length of the ring is 20 yards.

**When you learn math
in an interesting way,
you never forget.**



25 Million

Math classes &
counting

100K+

Students learning
Math the right way

20+ Countries

Present across USA, UK,
Singapore, India, UAE & more.

Why choose Cuemath?

"Cuemath is a valuable addition to our family. We love solving puzzle cards. My daughter is now visualizing maths and solving problems effectively!"

- Gary Schwartz

"Cuemath is great because my son has a one-on-one interaction with the teacher. The instructor has developed his confidence and I can see progress in his work. One-on-one interaction is perfect and a great bonus."

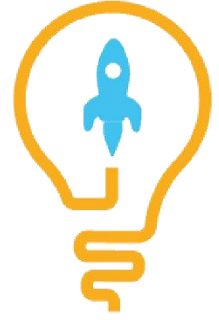
- Kirk Riley

"I appreciate the effort that miss Nitya puts in to help my daughter understand the best methods and to explain why she got a problem incorrect. She is extremely patient and generous with Miranda."

- Barbara Cabrera

Get the Cuemath advantage

Book a FREE trial class

**ANSWERS**

1)	80
2)	332.5
3)	1.67 units
4)	40 120 9
5)	22185
6)	6000 cubic ft.
7)	867.85
8)	3136
9)	125
10)	120 yards

FUN FACT

- 1) Area is measured in square units whereas Perimeter is measured in units.
- 2) Two squares having same area will have same perimeter as well.
- 3) Two rectangles with same area may have different perimeters.

