

Get better at Math.
Get better at
everything.



Come experience the Cuemath methodology and ensure your child stays ahead at math this summer.



**Adaptive
Platform**



**Interactive Visual
Simulations**



**Personalized
Attention**

For Grades 1 - 10



LIVE online classes
by trained and
certified experts.

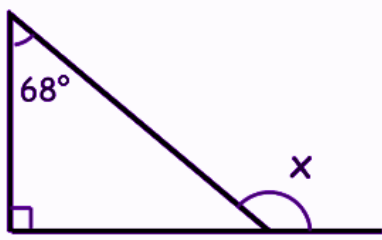
Get the Cuemath advantage

Book a FREE trial class

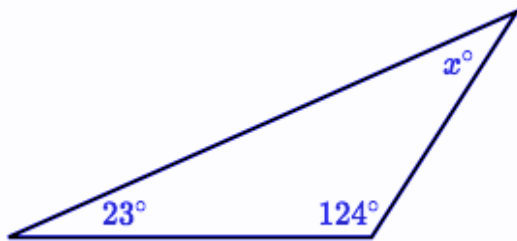
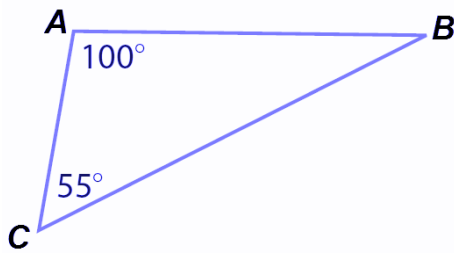
Missing Angles in Triangles Worksheets

Find the missing angles in the given triangles.

1.

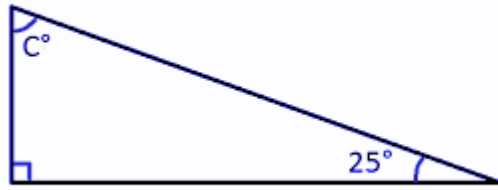


2.



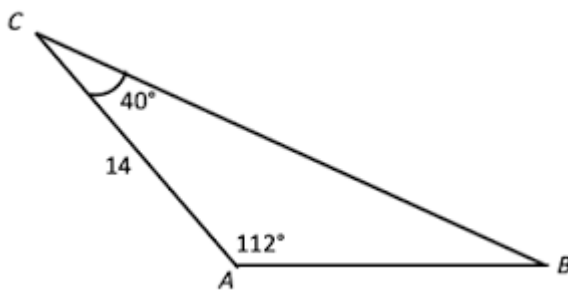
3.

4.

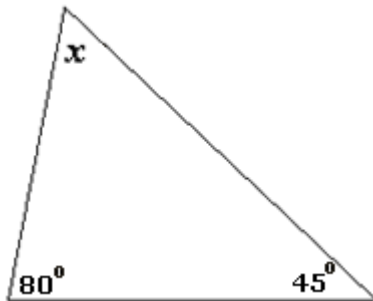


Work out the missing angles in the given triangles.

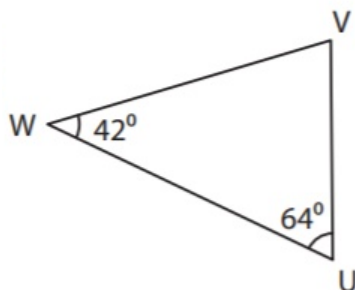
5.



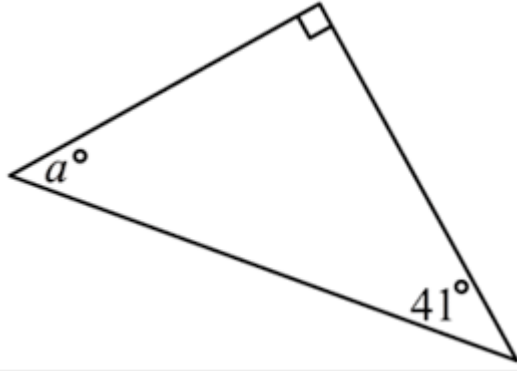
6.



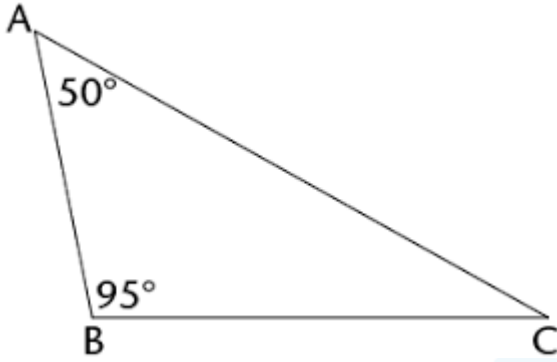
7.



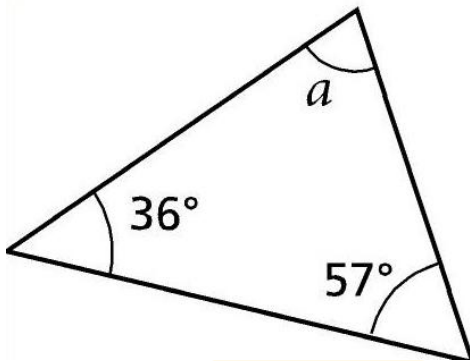
8.



9.



10.



**When you learn math
in an interesting way,
you never forget.**



25 Million

Math classes &
counting

100K+

Students learning
Math the right way

20+ Countries

Present across USA, UK,
Singapore, India, UAE & more.

Why choose Cuemath?

"Cuemath is a valuable addition to our family. We love solving puzzle cards. My daughter is now visualizing maths and solving problems effectively!"

- Gary Schwartz

"Cuemath is great because my son has a one-on-one interaction with the teacher. The instructor has developed his confidence and I can see progress in his work. One-on-one interaction is perfect and a great bonus."

- Kirk Riley

"I appreciate the effort that miss Nitya puts in to help my daughter understand the best methods and to explain why she got a problem incorrect. She is extremely patient and generous with Miranda."

- Barbara Cabrera

Get the Cuemath advantage

Book a FREE trial class

**ANSWERS**

1.	$x = 158^\circ$	6.	55°
2.	25°	7.	74°
3.	$x = 33^\circ$	8.	49°
4.	$C = 65^\circ$	9.	35°
5.	28°	10.	87°

FUN FACT

1. An integer can be negative, zero or positive.
2. A number if expressed in a fractional form is not an integer.
3. There are infinite real numbers between any two integers.

