

Get better at Math.  
Get better at  
everything.



Come experience the Cuemath methodology and ensure your child stays ahead at math this summer.



**Adaptive  
Platform**



**Interactive Visual  
Simulations**



**Personalized  
Attention**

For Grades 1 - 10



LIVE online classes  
by trained and  
certified experts.

Get the Cuemath advantage

**Book a FREE trial class**

## LINES OF SYMMETRY WORKSHEETS-III

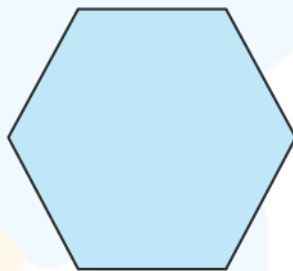
Answer Q.1 and Q.2 based on the given instructions.

1) Draw the lines of symmetry for the following figures.



2) How many lines of symmetry does the above figure has?

3) Draw a line of symmetry.



4) If the dotted line is the line of reflection symmetry, complete the following figure.



5) Tick the correct option.

An equilateral triangle has:

- a) 1 line of symmetry
- b) 3 lines of symmetry
- c) 2 lines of symmetry

6) Which of the following figures has reflection symmetry on a vertical mirror?

- a) Triangle
- b) Rectangle
- c) Pentagon
- d) Trapezium

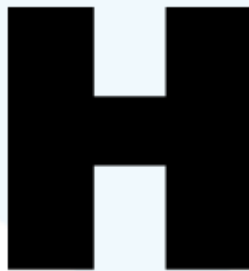
7) Fill in the blank:

A regular pentagon has \_\_\_\_\_ lines of symmetry.

8) Match the letters in column A with their appropriate number of lines of symmetry in column B.

A	B
1. Q	a. 1
2. C	b. 0
3. X	c. 2

9) Find the number of lines of symmetry letter H has.



10) Write true/false.

The axis of symmetry can be either horizontal, vertical, or lateral. \_\_\_\_\_

**When you learn math  
in an interesting way,  
you never forget.**



**25 Million**

Math classes &  
counting

**100K+**

Students learning  
Math the right way

**20+ Countries**

Present across USA, UK,  
Singapore, India, UAE & more.

## Why choose Cuemath?

"Cuemath is a valuable addition to our family. We love solving puzzle cards. My daughter is now visualizing maths and solving problems effectively!"

- Gary Schwartz

"Cuemath is great because my son has a one-on-one interaction with the teacher. The instructor has developed his confidence and I can see progress in his work. One-on-one interaction is perfect and a great bonus."

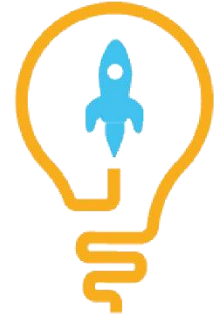
- Kirk Riley

"I appreciate the effort that miss Nitya puts in to help my daughter understand the best methods and to explain why she got a problem incorrect. She is extremely patient and generous with Miranda."


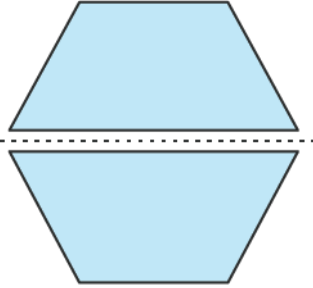
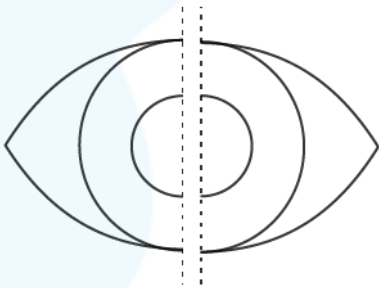
- Barbara Cabrera

Get the Cuemath advantage

**Book a FREE trial class**



**ANSWERS**

1)	
2)	1
3)	
4)	
5)	b)
6)	b)
7)	5
8)	1--b; 2--a; 3--c
9)	2
10)	True

## FUN FACT

1. An object and its image are symmetrical with reference to its mirror line.
2. The line of symmetry is a line that divides an object into two identical pieces.
3. Symmetry states that one shape is identical to the other shape when it is moved, rotated, or flipped.

