

Get better at Math.  
Get better at  
everything.



Come experience the Cuemath methodology and ensure your child stays ahead at math this summer.



**Adaptive  
Platform**



**Interactive Visual  
Simulations**



**Personalized  
Attention**

For Grades 1 - 10



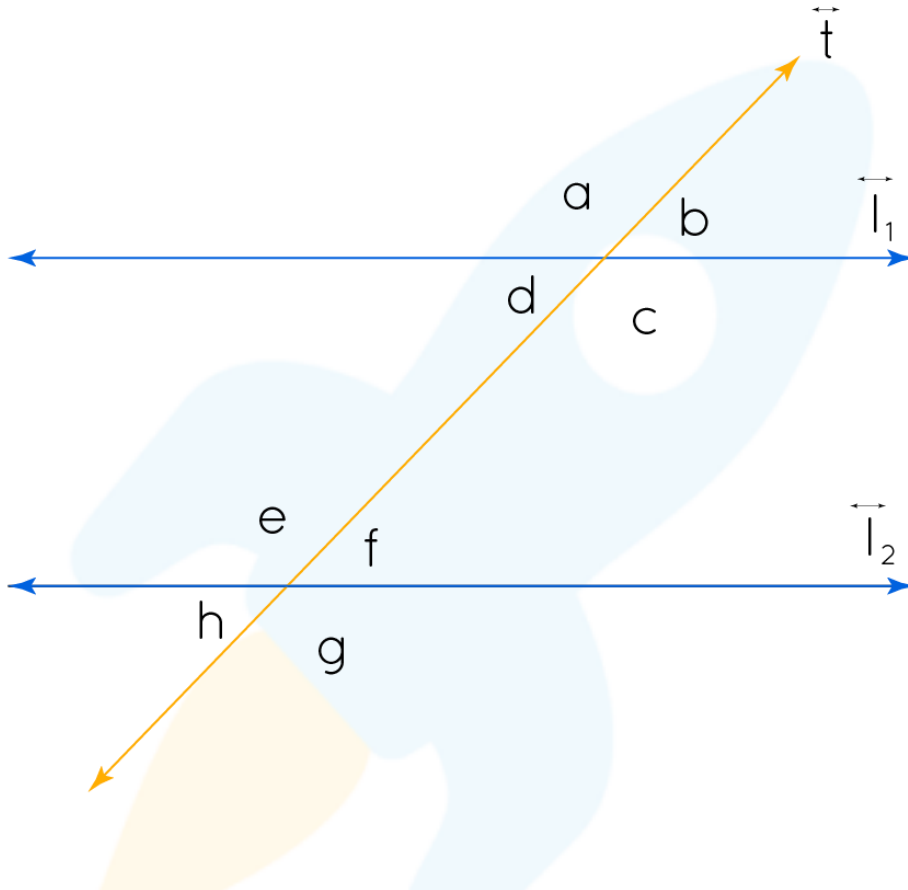
LIVE online classes  
by trained and  
certified experts.

Get the Cuemath advantage

**Book a FREE trial class**

## Finding Missing Angles Worksheets 7th Grade

Line  $l_1$  and  $l_2$  are parallel lines cut by a transversal  $t$ . Write the angle relationship for each pair of angles.



1.  $\angle a$  and  $\angle g$  are \_\_\_\_\_.

2.  $\angle e$  and  $\angle c$  are \_\_\_\_\_.

3.  $\angle b$  and  $\angle f$  are \_\_\_\_\_.

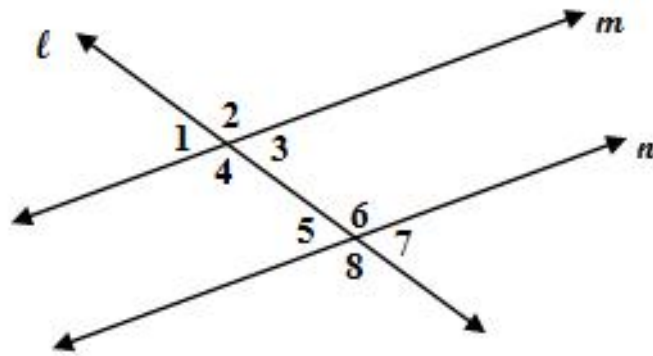
4.  $\angle f$  and  $\angle c$  are \_\_\_\_\_.

5. True or False

Two lines perpendicular to the same line are perpendicular to each other.

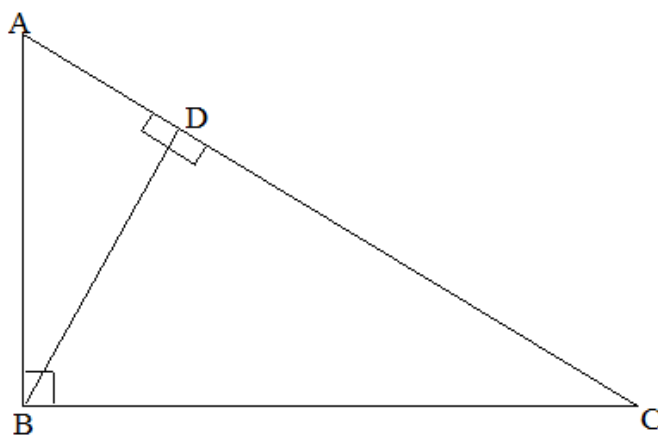
6. The supplementary angle of  $70^\circ$  is \_\_\_\_\_

7. In the given figure, line  $m \parallel n$  and line  $l$  pass through them. List any two pairs of alternate exterior angles.



8. X and Y are the supplementary angles. If angle X =  $3a + 4$  degrees and angle Y =  $2a - 9$  degrees, what is the value of a?

9. Find the value of angle **DBC** in the given figure. If angle BCA is 44 degrees.



**When you learn math  
in an interesting way,  
you never forget.**



**25 Million**

Math classes &  
counting

**100K+**

Students learning  
Math the right way

**20+ Countries**

Present across USA, UK,  
Singapore, India, UAE & more.

## Why choose Cuemath?

"Cuemath is a valuable addition to our family. We love solving puzzle cards. My daughter is now visualizing maths and solving problems effectively!"

- Gary Schwartz

"Cuemath is great because my son has a one-on-one interaction with the teacher. The instructor has developed his confidence and I can see progress in his work. One-on-one interaction is perfect and a great bonus."

- Kirk Riley

"I appreciate the effort that miss Nitya puts in to help my daughter understand the best methods and to explain why she got a problem incorrect. She is extremely patient and generous with Miranda."

- Barbara Cabrera

Get the Cuemath advantage

**Book a FREE trial class**

**ANSWERS**

1)	Alternate Exterior Angles
2)	Alternate Interior Angles
3)	corresponding angles
4)	Consecutive Interior Angles
5)	False
6)	$110^{\circ}$
7)	$\angle 2$ and $\angle 8$ also $\angle 1$ and $\angle 7$ .
8)	$a=37$
9)	46 degrees