

Get better at Math.
Get better at
everything.



Come experience the Cuemath methodology and ensure your child stays ahead at math this summer.



**Adaptive
Platform**



**Interactive Visual
Simulations**



**Personalized
Attention**

For Grades 1 - 10



LIVE online classes
by trained and
certified experts.

Get the Cuemath advantage

Book a FREE trial class

Area and Perimeter worksheets grade 6

Questions

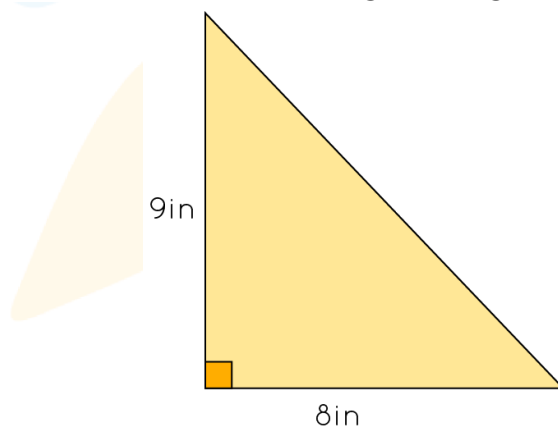
Q1. Determine the square area. If the side of the square is 7 feet,

Q2. Determine the perimeter of the rectangle. If the width of a rectangle is 6 inches and the length of a rectangle is 9 inches.

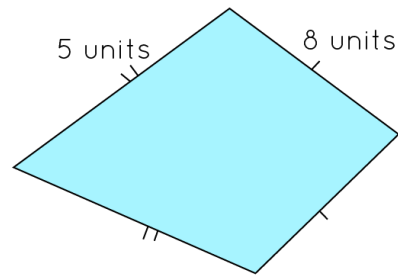
Q3. The length and width of a rectangular park measure 40 feet and 32 feet respectively. Determine the area of the park.

Q4. The side lengths of a triangle are 8 units, 10 units, and 7.4 units. Find its perimeter.

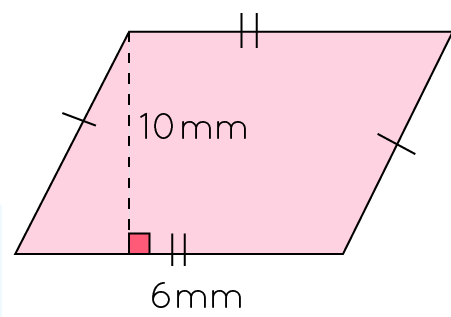
Q5. Find the area of the following triangle.



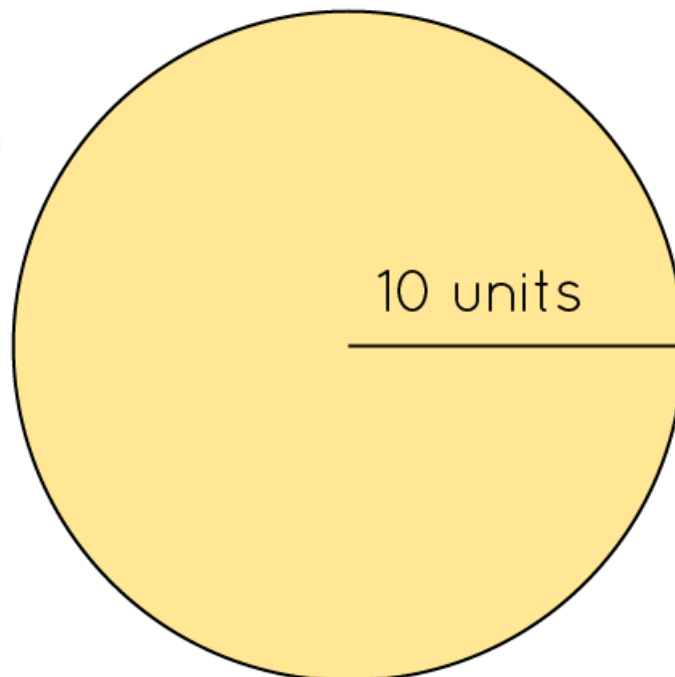
Q6. Find the perimeter of a quadrilateral.



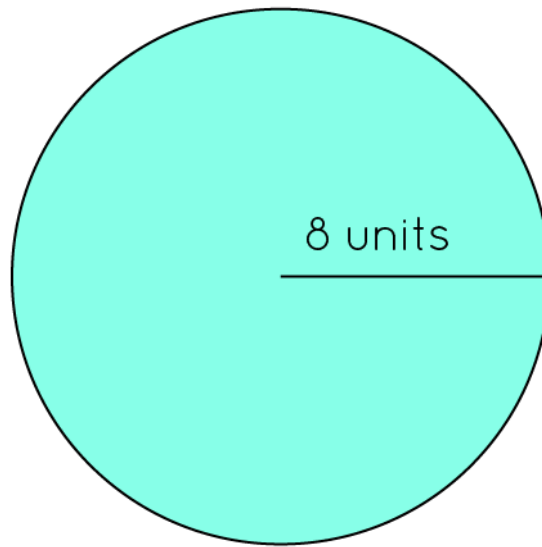
Q7. Find the area of the following quadrilateral.



Q8. Find the area of the following circle.

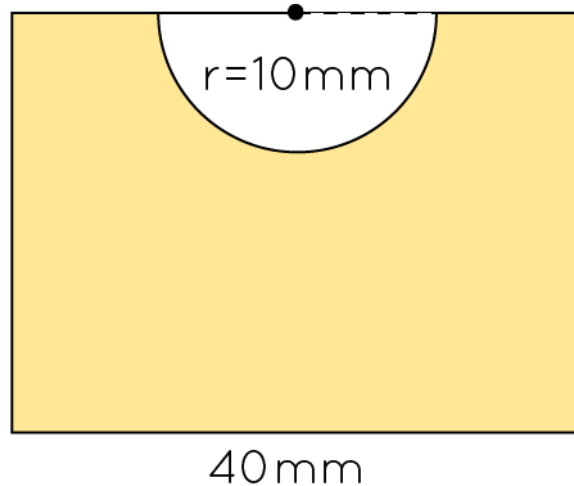


Q9. Find the perimeter of the following circle.

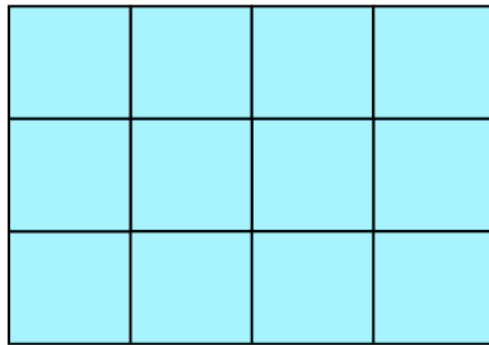


Q10. Find the area of a pentagon of apothem length 3 mm and side 5 mm?

Q11. If the radius of the semicircle is 10mm and the side of a square is 40mm. Find the area of the shaded region?

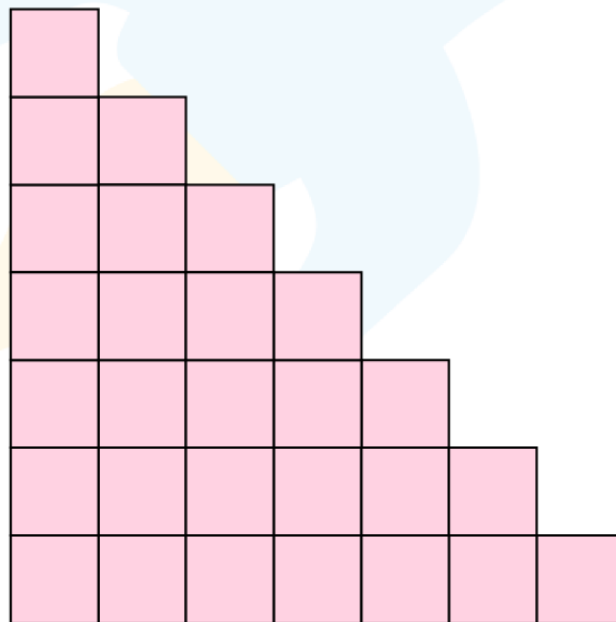


Q12. Find the area of the square blocks. If the side of a square is 2mm.



Q13. Sam needs to determine the area of the parallelogram. If a parallelogram has a height of 29 yards and its base is 10 yards.

Q14. If the sides of the small square blocks in the following diagram is 2 mm each. What is the perimeter of the figure?



Q15. The length and width of a rectangular park measure 47 meters and 29 meters respectively. Two paths, each of width 4 meters are running perpendicular to each other through the center of the park. Find the path area.

**When you learn math
in an interesting way,
you never forget.**



25 Million

Math classes &
counting

100K+

Students learning
Math the right way

20+ Countries

Present across USA, UK,
Singapore, India, UAE & more.

Why choose Cuemath?

"Cuemath is a valuable addition to our family. We love solving puzzle cards. My daughter is now visualizing maths and solving problems effectively!"

- Gary Schwartz

"Cuemath is great because my son has a one-on-one interaction with the teacher. The instructor has developed his confidence and I can see progress in his work. One-on-one interaction is perfect and a great bonus."

- Kirk Riley

"I appreciate the effort that miss Nitya puts in to help my daughter understand the best methods and to explain why she got a problem incorrect. She is extremely patient and generous with Miranda."

- Barbara Cabrera

Get the Cuemath advantage

Book a FREE trial class

ANSWERS

1. 49 sq. feet.	2. 28 inches.	3. 1280 sq.feet.	4. 25.4 units	5.54 sq. inches
6. 66units.	7. 66units.	8. 379.94 unit square.	9. 113.04 units.	10. 37.5 mm
11. 1373.92 mm square.	12. 48 mm square.	13. 290 Sq. yards	14.54 mm	15. 304 Sq. meters