

Get better at Math.
Get better at
everything.



Come experience the Cuemath methodology and ensure your child stays ahead at math this summer.



**Adaptive
Platform**



**Interactive Visual
Simulations**



**Personalized
Attention**

For Grades 1 - 10



LIVE online classes
by trained and
certified experts.

Get the Cuemath advantage

Book a FREE trial class

Area and Perimeter worksheets grade 6

Questions

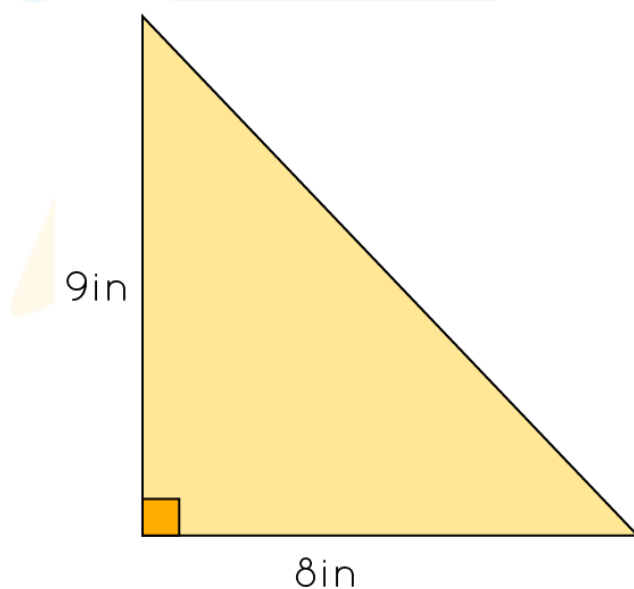
Q1. If the side of the square is 8 feet, determine its area.

Q2. The width of a rectangle is 4 inches and the length of a rectangle is 8 inches. Determine the perimeter of the rectangle.

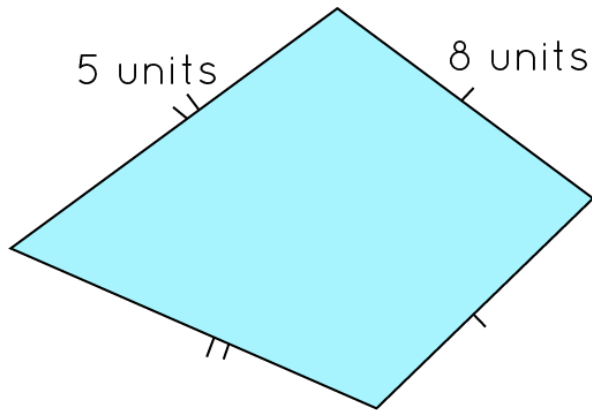
Q3. The length and width of a rectangular park measure 47 m and 29 m respectively. Determine the half area of the park.

Q4. The side lengths of a triangle are 200mm, 600mm, and 700 mm. Determine its perimeter.

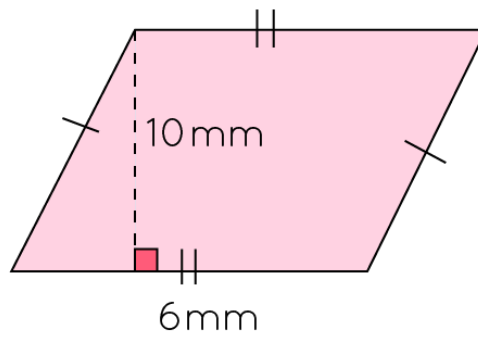
Q5. Find the area of the following triangle.



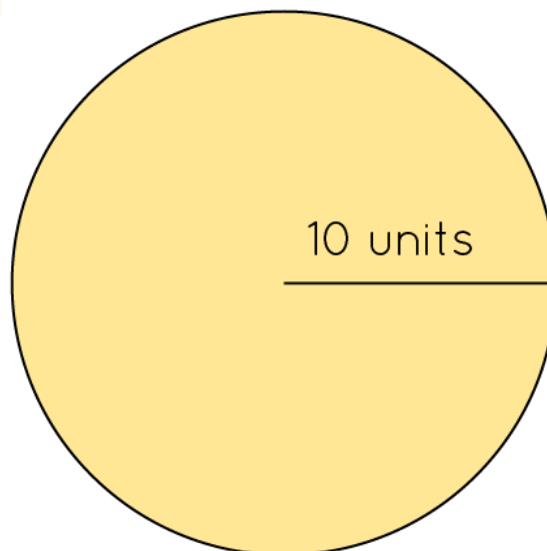
Q6. Find the perimeter of a quadrilateral.



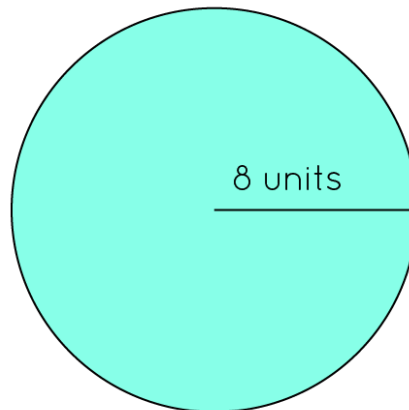
Q7. Find the area of the following quadrilateral.



Q8. Find the area of the following circle.

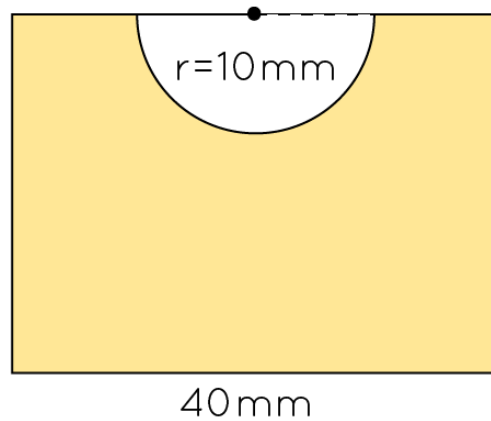


Q9. Find the perimeter of the following circle.

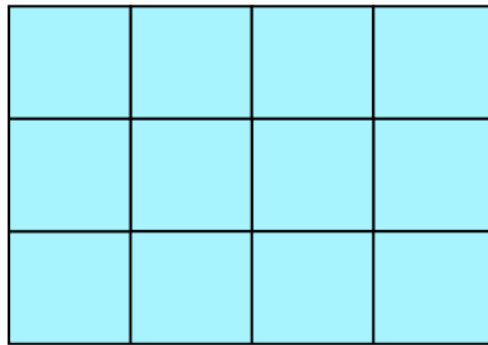


Q10. Find the area of a pentagon of apothem length 30 mm and side 50 mm?

Q11. find the area of the shaded region. If the radius of the semicircle is 10mm and the side of a square is 40mm?

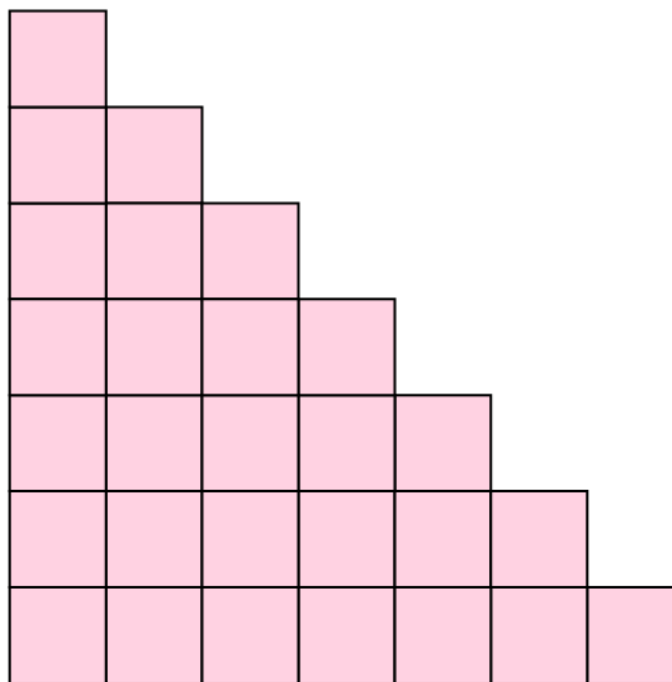


Q12. Find the area of the given blocks. If the side of a small square is 2mm.



Q13. Sam has a parallelogram whose height is 27 yards and its base is 11 yards. Determine the area of the parallelogram.

Q14. If the sides of the small square blocks in the following diagram is 2 mm each. what is the perimeter of the figure?



Q15. What is the area of the rhombus, if the diagonals measure 11 inches and 20 inches?

**When you learn math
in an interesting way,
you never forget.**



25 Million

Math classes &
counting

100K+

Students learning
Math the right way

20+ Countries

Present across USA, UK,
Singapore, India, UAE & more.

Why choose Cuemath?

"Cuemath is a valuable addition to our family. We love solving puzzle cards. My daughter is now visualizing maths and solving problems effectively!"

- Gary Schwartz

"Cuemath is great because my son has a one-on-one interaction with the teacher. The instructor has developed his confidence and I can see progress in his work. One-on-one interaction is perfect and a great bonus."

- Kirk Riley

"I appreciate the effort that miss Nitya puts in to help my daughter understand the best methods and to explain why she got a problem incorrect. She is extremely patient and generous with Miranda."

- Barbara Cabrera

Get the Cuemath advantage

Book a FREE trial class

ANSWERS

1. 64 sq. feet.	2. 30 inches.	3. 681.5	4. 1500 mm	5. 36 sq. inches
6. 26 Units	7. 60 sq. mm.	8. 314 unit square.	9. 50.24 units.	10. 3750 mm square.
11. 1443 mm square.	12. 28mm	13. 297 Sq. yards	14. 112 mm sq.	15. 110 sq in